

ISL Series



Single Phase Isolimiter 7.5kVA - 100kVA



Shown with optional meters and breakers

The ISL Series are Ferroresonant regulating transformers housed in single system enclosures. These units are designed to accept a widely varying AC input voltage, while simultaneously producing a well regulated, filtered AC output. ISL Series units have the unique characteristic of being short circuit protected so that overloads and short circuits on the secondary side are not reflected back to the primary.

- High reliability - exceeds 160,000 hours (20 years)
MTBF-useful life over 35 years
- Constructed with entirely passive magnetic components
- Provides unparalleled attenuation of common and transverse mode noise
- Low audible noise <65dBA
- High efficiency
- 1/4 cycle output ride-through
- Compatible with non-linear loads
- Industrial grade-built to operate in extreme environmental conditions
- For use with Inverter/UPS systems, or in stand alone applications

Model	kVA	Input Amps*				Input Circuit Brkr Ampacity				Output Amps*			Heat Loss BTU/Hr	Dimensions-Inches (mm)			Weight Lbs/kg		
		120	480	220	380	120	480	220	380	120	480	220		H	x	W		x	D
ISL1007	7.5	72	18	40	23	125	30	60	40	62	34	16	3824	57 (1445)	x	29 (737)	x	28 (711)	500 (227)
ISL1010	10	95	23	52	30	150	40	80	50	83	45	21	4654	57 (1445)	x	29 (737)	x	28 (711)	525 (238)
ISL1015	15	142	35	77	45	225	60	125	70	125	68	31	6979	57 (1445)	x	29 (737)	x	28 (711)	625 (284)
ISL1020	20	187	46	102	59	300	70	150	90	167	90	42	8434	78 (1981)	x	29 (737)	x	32 (813)	850 (386)
ISL1025	25	234	58	128	74	350	90	200	125	208	114	52	10542	78 (1981)	x	29 (737)	x	32 (813)	975 (442)
ISL1030	30	278	70	151	88	450	125	225	150	250	136	63	11373	78 (1981)	x	29 (737)	x	32 (813)	1150 (522)
ISL1037	37.5	343	87	187	108	600	125	300	175	312	170	78	12654	78 (1981)	x	56 (1422)	x	32 (813)	1400 (635)
ISL1050	50	458	116	250	145	700	175	400	225	416	227	104	16872	85 (2159)	x	56 (1422)	x	36 (914)	1700 (771)
ISL1075	75	--	177	387	224	--	300	600	400	625	341	156	34895	85 (2159)	x	56 (1422)	x	36 (914)	3750 (1701)
ISL 1100	100	--	231	505	292	--	350	800	500	833	455	207	37911	85 (2159)	x	56 (1422)	x	36 (914)	4550 (2064)

* At Nominal Line

General Specifications

ISL Series

Isolimiter

AC Input

Voltage: 120, 480, 220, 380, 1-phase
 Range: +10% to -15%
 Frequency*: 60Hz \pm 1%

AC Output

Voltage: 120, 480, 220, 380, 1-phase
 Regulation: \pm 2%
 Frequency*: 60Hz
 Load Power Factor: 0.8 to 1.0
 Harmonic Distortion: \leq 5% total THD
 Overload: 150% to 200% fault clearing

Also available in 120/240VAC 3-wire, 60 HZ and 600VAC, 60Hz. Consult factory.

Transformer

Noise Attenuation: 120dB common mode
 80dB transverse mode
 Construction: All Copper windings,
 electrostatic shield

* 50Hz available, contact factory

** Alarms provide one SPDT contact rated for 3 Amps at 120VAC

Consult factory for additional options

Environmental

Ambient Temperature: 0°C to 40°C (32°F to 104°F)
 Relative Humidity: 0-95% non-condensing
 Operating Altitude: 0-3000 meters (10,000 ft)
 Audible Noise: <60dBA
 Cooling: Convection \leq 37.5kVA
 Forced Air \geq 50 kVA

Cable Entry

Top or Bottom

Efficiency

>88% at full load

Standard Features

Circuit Breakers:
 AC Input

Optional Features

Circuit Breakers:
 AC Output

Meters:

Voltmeters
 Ammeters
 Frequency Meters

Indicators & Alarms**:

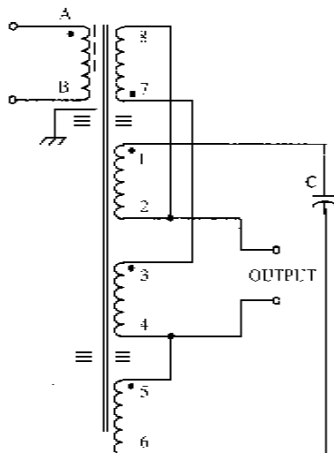
Fan Failure (\geq 50 kVA)

Indicators & Alarms**:

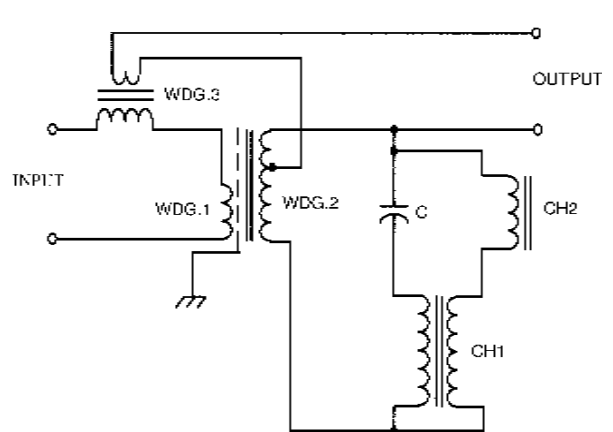
Over Temperature
 Low AC Output
 High AC Output
 AC Output Overload

Isolimiter Block Diagrams

\leq 50kVA



\geq 75kVA



www.solidstatecontrolsinc.com

World Headquarters:

875 Dearborn Drive, Columbus, Ohio 43085
 Toll-Free 800-635-7300 (U.S. & Canada) ■ +1-614-846-7500 ■ Fax: +1-614-885-3990

Asia Pacific Headquarters:

Chinachem Hollywood Ctr., Suite 401-2, 1-13 Hollywood Road, Central Hong Kong
 Phone: +852-2526-1967/1970 ■ Fax: +852-2526-0225

South American Headquarters:

Av. Belgrano 553 1° C (1092) Buenos Aires, Argentina
 Phone: +(54-11) 4342-1138 ■ Fax: +(54-11) 4342-6220

Specifications subject to change without notice



A member of The Marmon Group of companies